

WINDOW LIFT MOTOR AND REGULATOR REPLACEMENT PROCEDURE

1995-1999 NISSAN MAXIMA FRONT & REAR

DOOR TRIM REMOVAL

The following applies to both front and rear doors. Remove any screws attaching the trim. On some models remove door handle cover plate and trim plugs that cover screws. It is recommended to use a no. 2 phillips screw driver. Check for any hidden screws that were missed. Carefully pry panel from door (use proper trim removal tool if available) and disconnect wiring from switches and lights.

MOTOR AND REGULATOR REMOVAL

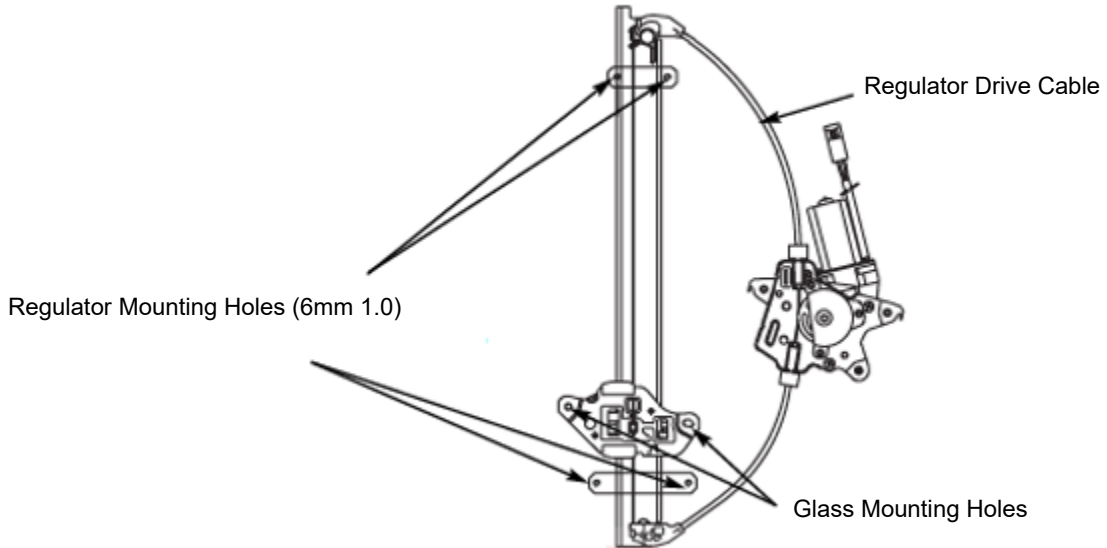
Important - Before removing glass attaching bolts or channel rollers, secure glass with tape or a suitable wedge like a window wedge tool. When the glass is separated from the regulator move the glass to the closed position and retain in a similar manner. Check for bad connections, fuses or switches and the possibility of broken regulator or broken cable. Check to make sure the glass channels are clean and free from obstructions. All regulator mounting attaching hardware requires 10mm socket or wrench. The regulator needs to be in position to remove glass mounting bolts (see drawings on opposite side). If the motor has stopped where the glass attaching bolts are not accessible, cut one of the regulator drive cables with a suitable tool. This will allow movement of the glass so glass mounting bolts are accessible. Remove glass attaching bolts. Be sure glass stays in the channels. Mark on the door the original position of the top two regulator mounting bolts before removing. Remove all 7 regulator mounting bolts. Remove regulator and motor assembly by sliding through large access hole in the door panel.

MOTOR AND REGULATOR INSTALLATION

Insert new motor and regulator into the door while making sure the glass is still in the closed position. Loosely fasten regulator to door beginning with mounting holes by the motor and then loosely fasten the regulator bolts. The glass mounting holes on the replacement motor and regulator should be in position for access through the door. Slide down glass and fasten to regulator. Align top two regulator mounting bolts with marks indicating original position. Tighten down all bolts. Attach window lift wiring to switch on unattached trim and test operation. Reconnect remaining wiring and affix trim to door.

88206 / WLA1194 & 88207 / WLA1195 MAXIMA FRONT MOTOR & REGULATOR

View - 88206 / WLA1194 Left Front Facing Door from Outside Car



88208 / WLA1325 & 88209 / WLA1350 MAXIMA REAR MOTOR & REGULATOR

View - 88208 / WLA1325 Left Rear Facing Door from Outside Car

