

WINDSHIELD WASHER PUMP REPLACEMENT PROCEDURE

Illustration No. 1

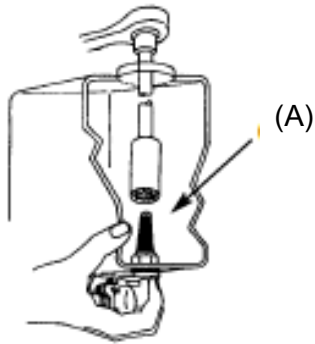
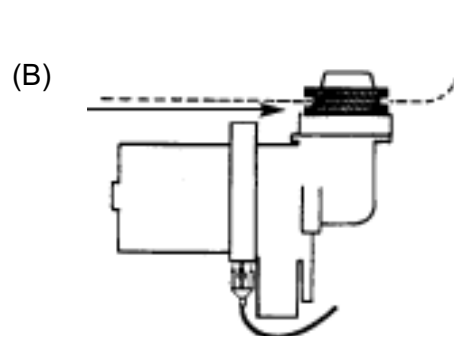


Illustration No. 2



INSTRUCTIONS

Do not use pump without solvent.

- 1) Disconnect electrical and hose connections.
- 2) Remove tank with pump installed.
- 3) Remove pump and seal (illustration no. 1) using a 7/8" deep socket on the filter nut (A). If pump does not use a filter nut, (illustration no. 2) simply pull pump and seal from tank. Some applications without a washer fluid level sensor need a 1 3/8" access hole (C) cut into the tank. Seal access hole with plug provided after pump removal and installation.
- 4) Clean and flush tank.
- 5) Install new seal (B) and pump and use cleaned original filter nut (A) if required.
- 6) Refit tank. Attach electrical and hose connections.
- 7) Fill tank with proper solvent and prime the pump by activating 4 to 6 times.

